

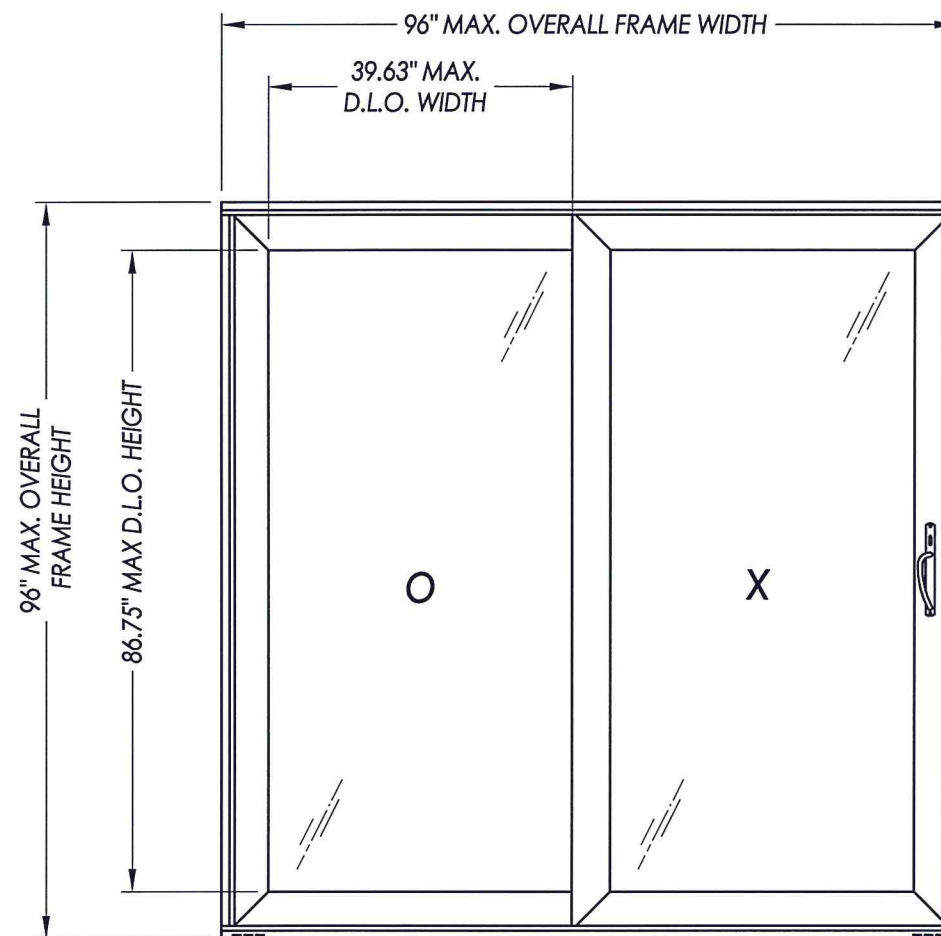
6000 Series Model 6200 Sliding Patio Door

"NON-IMPACT"

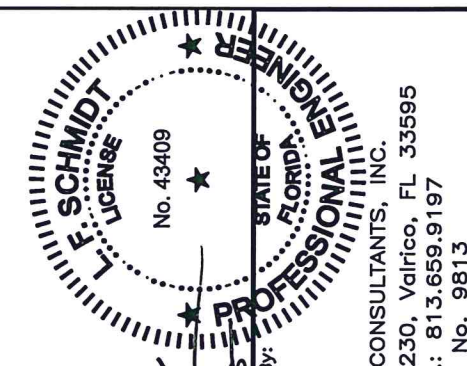
GENERAL NOTES

1. This product anchoring drawing has been evaluated and is in compliance with the 5th Edition (2014) Florida Building Code (FBC) excluding the "High Velocity Hurricane Zone" (HVHZ). See the Certification Agency Certificate for sizes, specifications & ratings.
2. Product anchors shall be as listed and spaced as shown on details. Anchor embedment to base material shall be beyond wall dressing or stucco.
3. When used in areas requiring wind borne debris protection, this product is required to be protected with an impact resistant covering that complies with Section 1609.1.2 of the FBC.
4. For 2x stud framing construction, anchoring of these units shall be the same as that shown for 2x buck masonry construction.
5. Site conditions that deviate from the details of this drawing require further engineering analysis by a licensed engineer or registered architect.

TABLE OF CONTENTS	
SHEET#	DESCRIPTION
1	Typical elevations, design pressures & general notes
2	Horizontal cross sections
3	Vertical cross sections
4	Buck and frame anchoring
5	Bill of materials, glazing detail and components



MAX FRAME DIMENSION	MAX D.L.O. DIMENSION	INTERLOCK	GLASS TYPE	DESIGN PRESSURE (PSF)	
				POS.	NEG.
96.0" X 96.0"	39.63" X 86.75"	PVC	G1	+35.0	-40.0
		ALUM	G1	+45.0	-50.0



Documents Prepared By:
Lyndon F. Schmidt
P.E. No. 43409

RW BUILDING CONSULTANTS, INC.
P.O. Box 230, Valrico, FL 33595
Phone No.: 813.659.9197
FBPE C.A. No. 9813

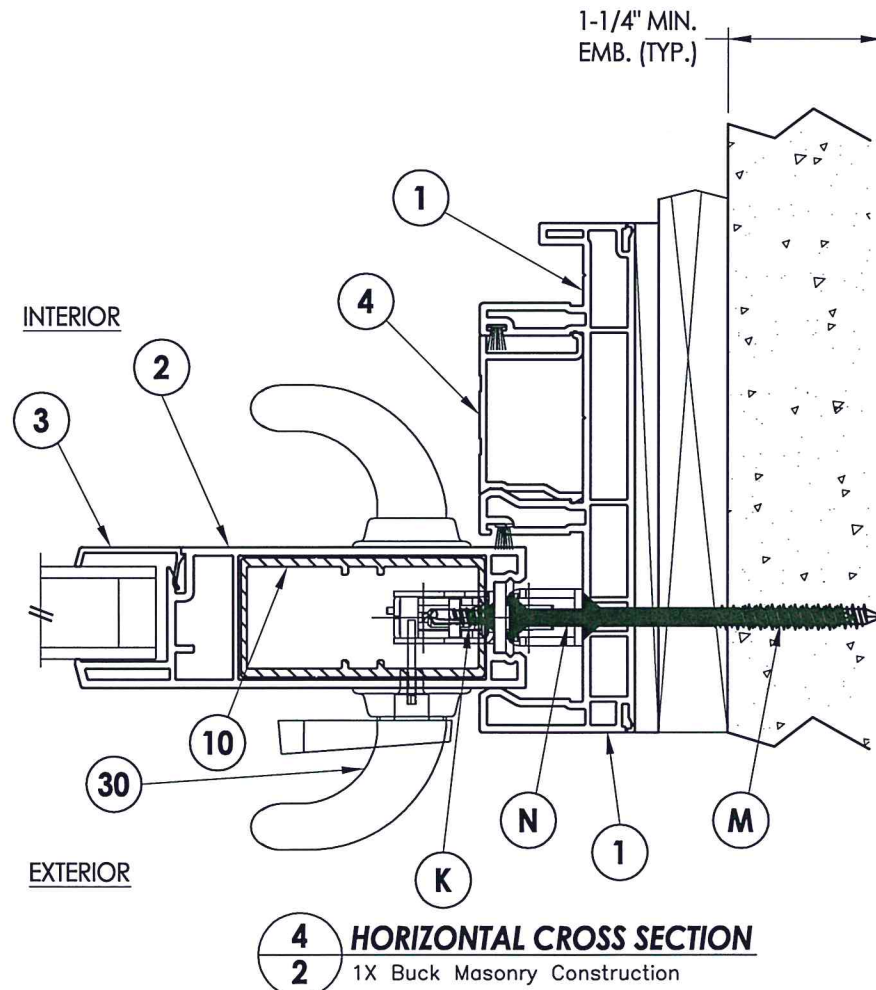
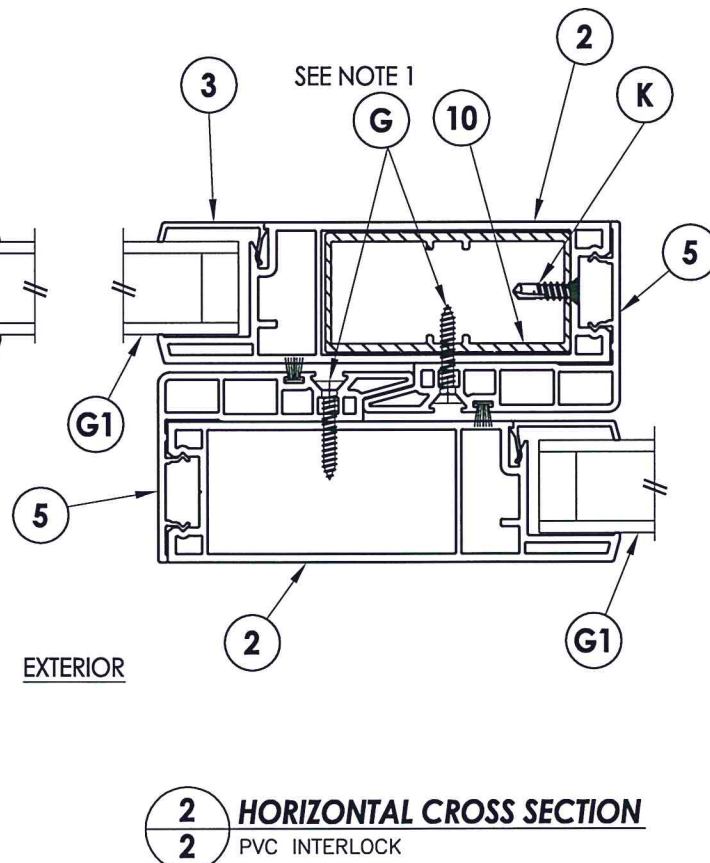
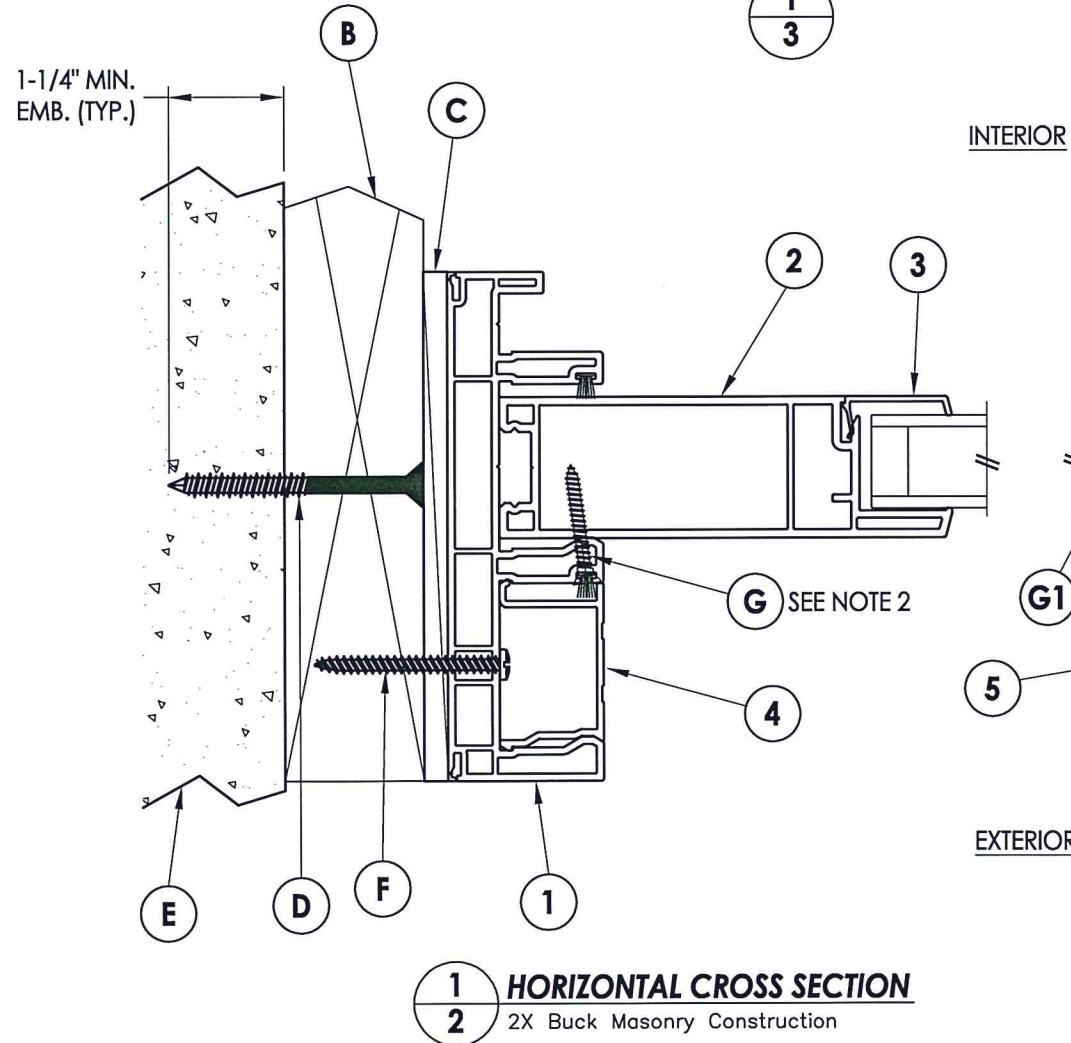
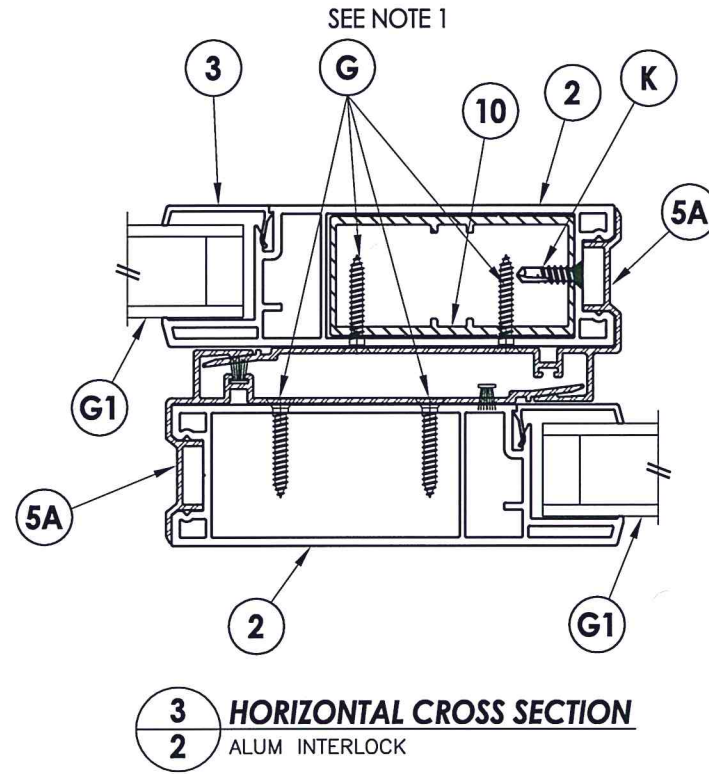
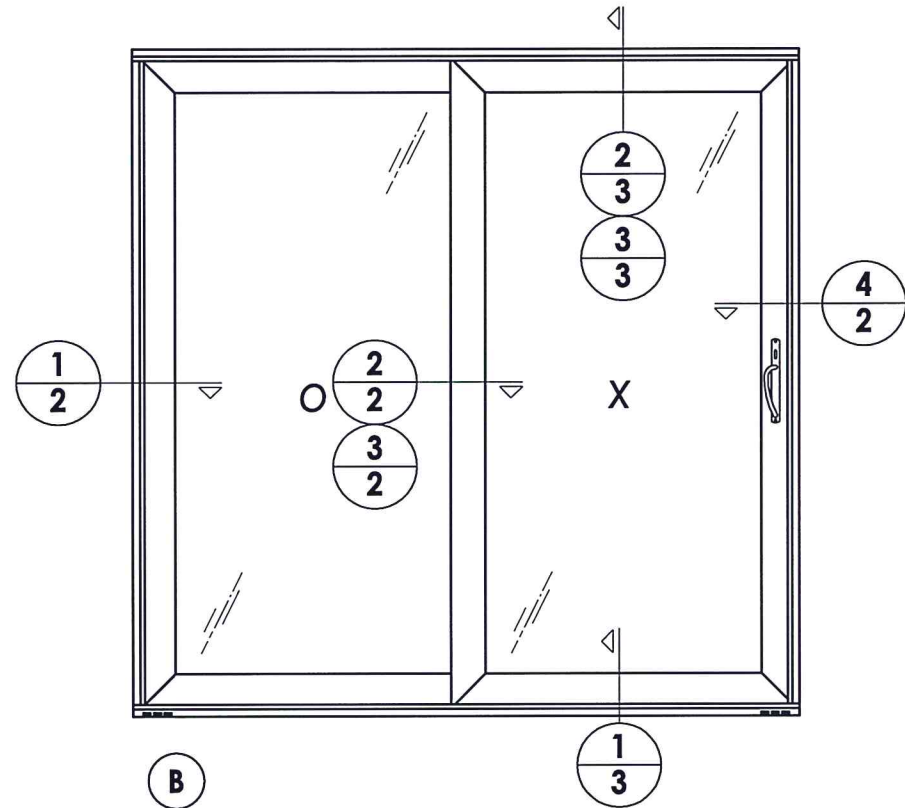
PRODUCT: Doers

PART OR ASSEMBLY:
TYPICAL ELEVATION, DESIGN PRESSURES & GENERAL NOTES

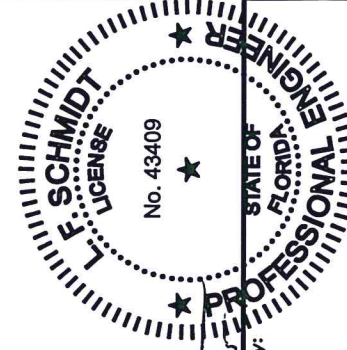
NO.	DATE	BY	REVISIONS

DATE: 6/15/15
SCALE: N.T.S.
DWG. BY: JK
CHK. BY: LFS
DRAWING NO.: FL-15450.1
SHEET 1 OF 5

R:\Clients\Doers PERMANENT\Florida Product Approvals\FL-15450 Exterior Doors - Sliding Patio Doors\C - Drawings\FL-15450 (2014)\FL-15450.dwg, 2.1



NOTE:
 1. Item G, spaced 3" from each end and 7 more equally spaced (9 total).
 2. Fixed panel secured to frame with item G, 6" from each end and 6 more equally spaced (8 total).

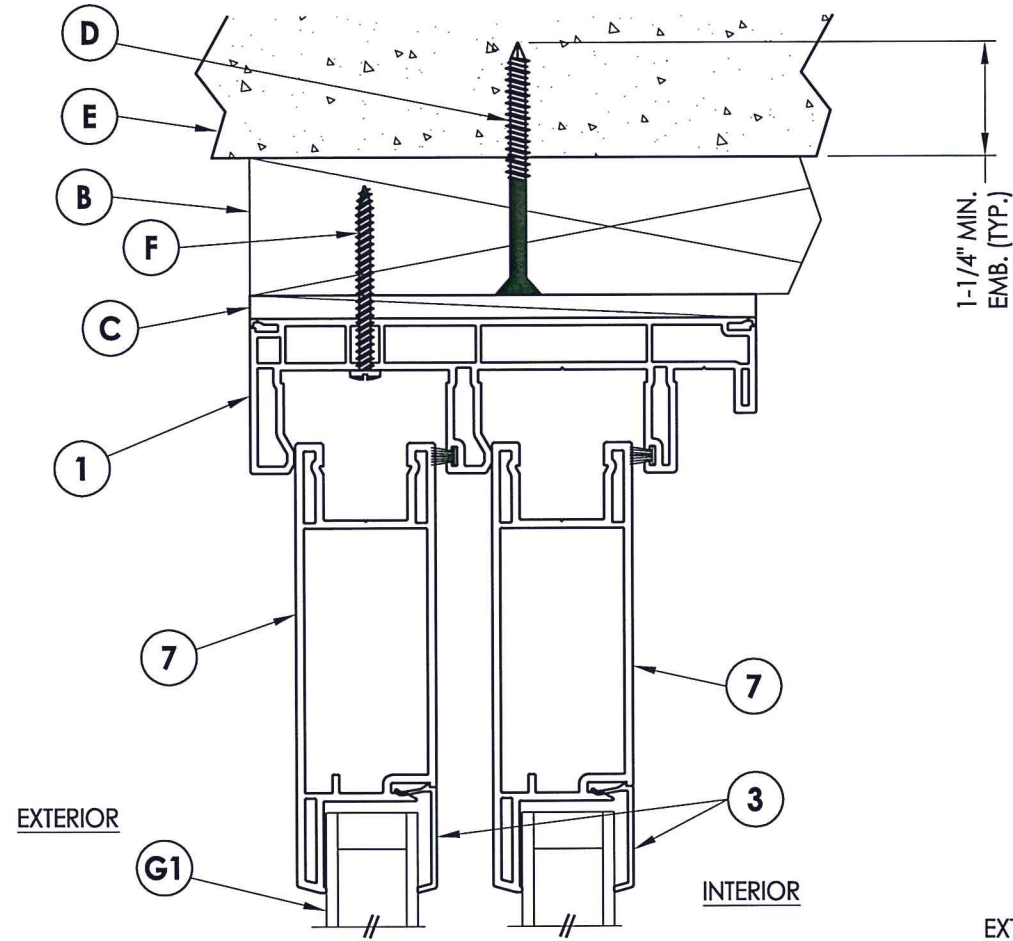


Documents Prepared By:
 Lyndon F. Schmitt
 P.E. No. 43409

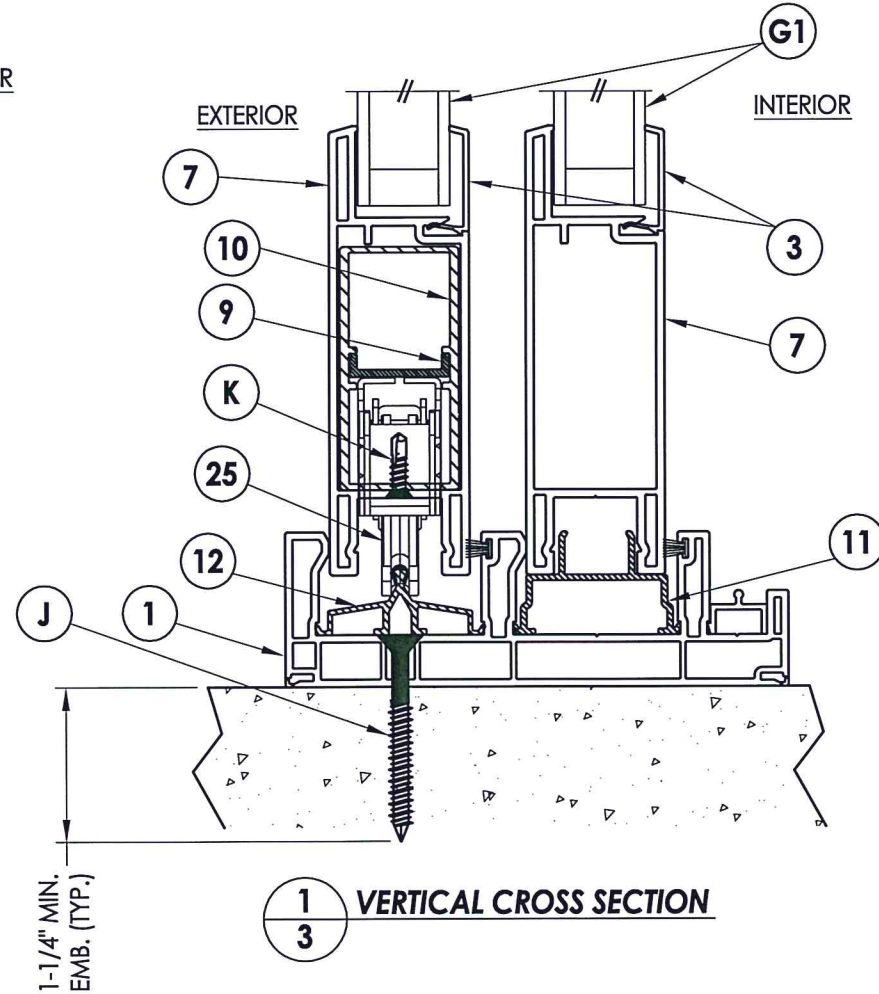
R.W. BUILDING CONSULTANTS, INC.
 P.O. Box 230, Valrico, FL 33595
 Phone No.: 813.659.9197
 FBPE C.A. No. 9813

PRODUCT: Doors	
PART OR ASSEMBLY: HORIZONTAL CROSS SECTIONS	
NO.	DATE
BY	
REVISONS	
DATE:	6/15/15
SCALE:	N.T.S.
DWG. BY:	JK
CHK. BY:	LFS
DRAWING NO.:	FL-15450.1
SHEET	2 OF 5

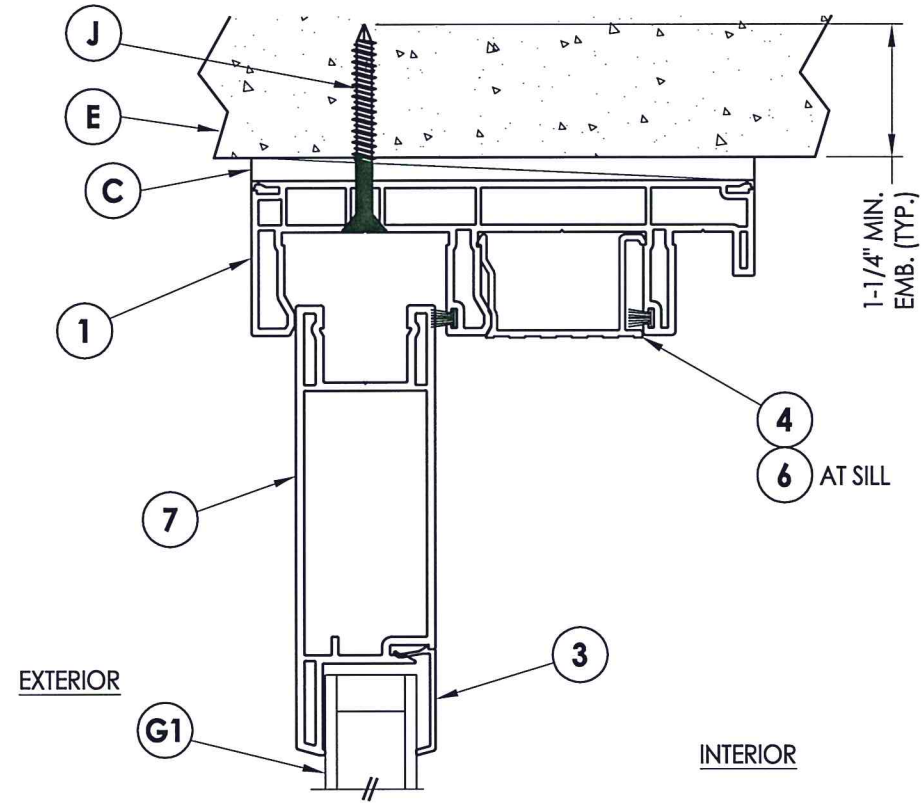
© 2015 R.W. BUILDING CONSULTANTS INC.



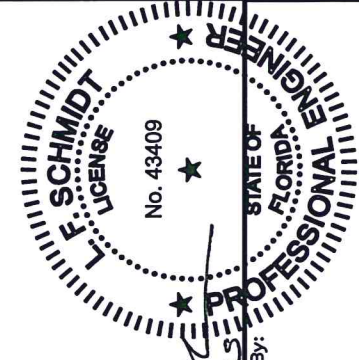
3 VERTICAL CROSS SECTION
3 2X Buck Masonry Construction



1 VERTICAL CROSS SECTION
3



2 VERTICAL CROSS SECTION
3 Direct to Masonry Construction



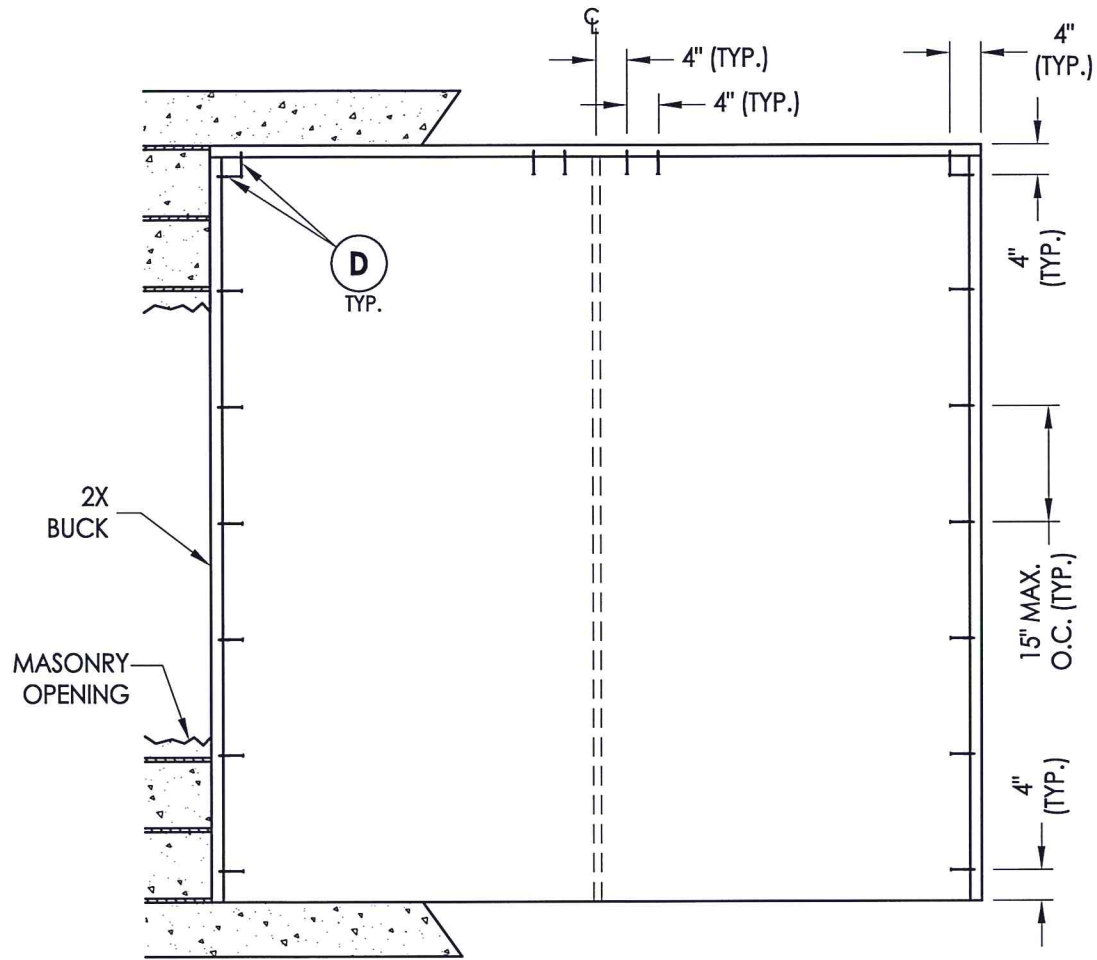
Documents Prepared By:
 Lyndon F. Schmidt
 P.E. No. 43409

R.W. BUILDING CONSULTANTS, INC.
 P.O. Box 230, Valrico, FL 33595
 Phone No.: 813.659.9197
 FBPE C.A. No. 9813

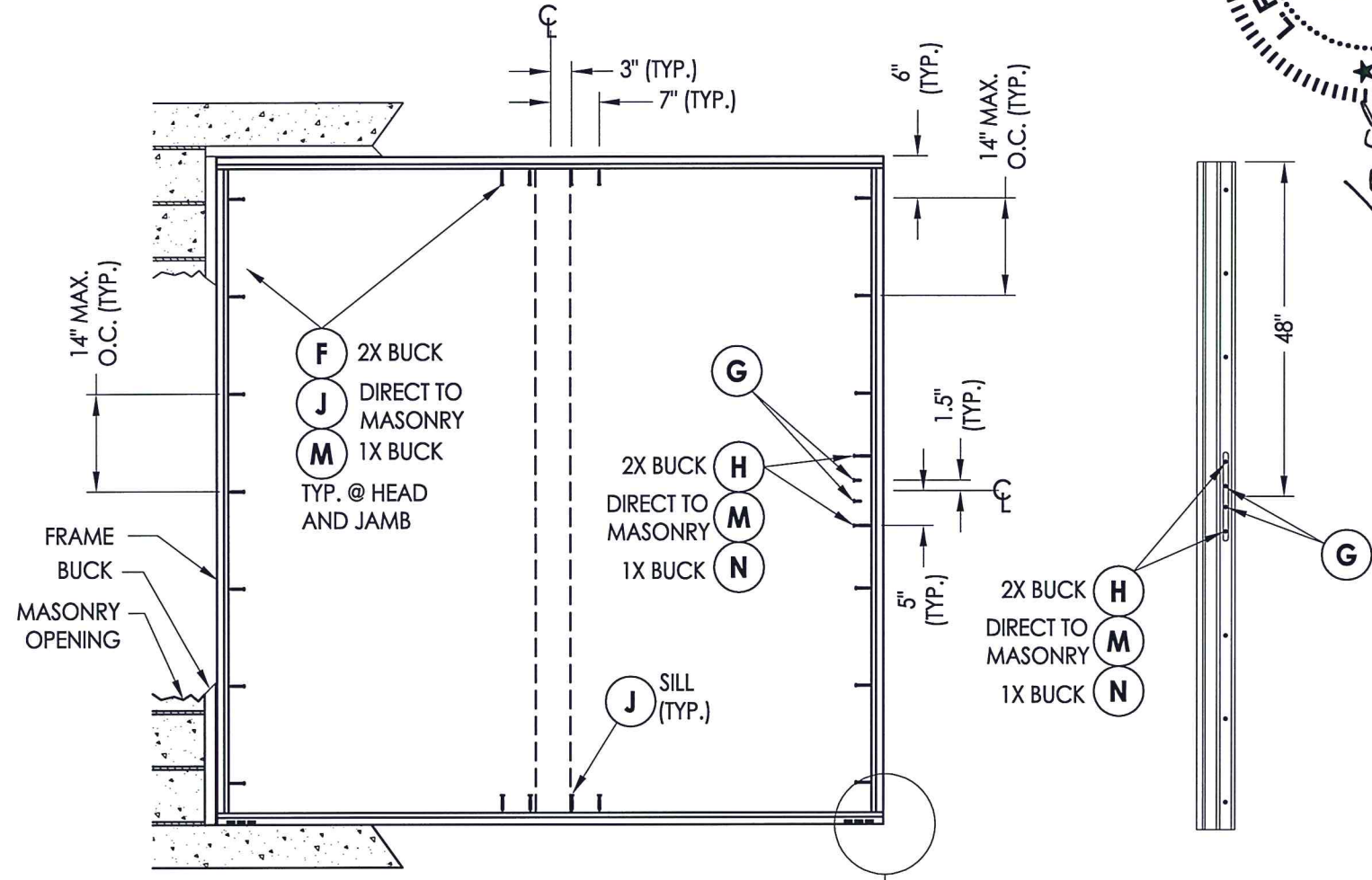
PRODUCT:	Doers
PART OR ASSEMBLY:	VERTICAL CROSS SECTIONS

NO.	DATE	BY	REVISIONS

DATE:	6/15/15
SCALE:	N.T.S.
DWG. BY:	JK
CHK. BY:	LFS
DRAWING NO.:	FL-15450.1
SHEET	3 OF 5



2X BUCK ANCHORING



FRAME ANCHORING

JAMB TRACKS

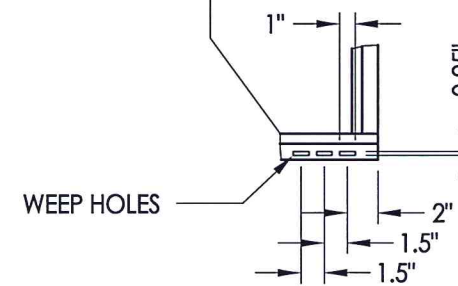
CONCRETE ANCHOR NOTES:

1. Concrete anchor locations at the corners may be adjusted to maintain the min. edge distance to mortar joints.
2. Concrete anchor locations noted as "MAX. ON CENTER" must be adjusted to maintain the min. edge distance to mortar joints, additional concrete anchors may be required to ensure the "MAX. ON CENTER" dimension are not exceeded.
3. Concrete anchor table:

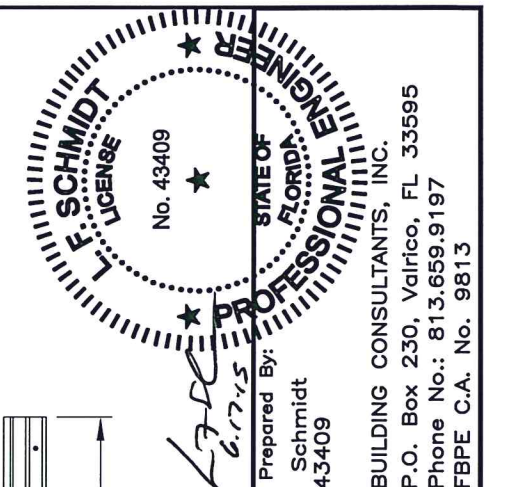
ANCHOR TYPE	ANCHOR SIZE	MIN. EMBEDMENT	MIN. CLEARANCE TO MASONRY EDGE	MIN. CLEARANCE TO ADJACENT ANCHOR
ITW TAPCON®	1/4"	1-1/4"	2"	4"
ELCO ULTRACON®	1/4"	1-1/4"	1"	4"

WOOD SCREW INSTALLATION NOTES:

1. Maintain a minimum 5/8" edge distance, 1" end distance, & 1" o.c. spacing of wood screws to prevent the splitting of wood.



WEEP HOLES



Documents Prepared By:
 Lyndon F. Schmidt
 P.E. No. 43409

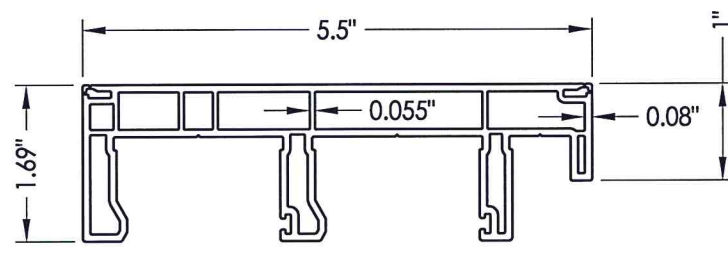
RW BUILDING CONSULTANTS, INC.
 P.O. Box 230, Vairico, FL 33596
 Phone No.: 813.659.9197
 FBPE C.A. No. 9813

PRODUCT:	Doers	
PART OR ASSEMBLY:	BUCK AND FRAME ANCHORING	
NO.	DATE	BY
		REVISIONS
DATE: 6/15/15		
SCALE: N.T.S.		
DWG. BY: JK		
CHK. BY: LFS		
DRAWING NO.: FL-15450.1		
SHEET 4 OF 5		

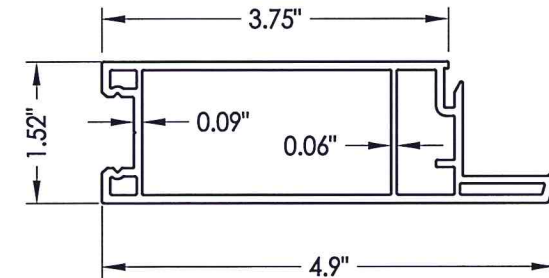
Z:\Clients\Doers PERMANENT\Florida Product Approvals\FL-15450 Exterior Doors - Sliding Patio Doors\C - Drawings\FL-15450 (2014)\FL-15450.dwg, 5.1

BILL OF MATERIALS		
ITEM #	DESCRIPTION	MATERIAL
A	1X BUCK SG >= 0.42	WOOD
B	2X BUCK SG >= 0.42	WOOD
C	1/4" MAX. SHIM SPACE	-
D	1/4" X 2-3/4" PFH ELCO OR ITW CONCRETE SCREW	STEEL
E	MASONRY - 3,192 PSI MIN. CONCRETE CONFORMING TO ACI 301 OR HOLLOW BLOCK CONFORMING TO ASTM C90	CONCRETE
F	#10 X 2" PPH SMS (1-3/16" MIN. EMBEDMENT)	STEEL
G	#8 X 1" PFH SMS	STEEL
H	#10 X 2-1/2" PFH SMS (1-1/4" MIN. EMBEDMENT)	STEEL
J	1/4" X 2-1/4" PFH ITW CONCRETE SCREW	STEEL
K	#6 X 3/4" PPH SMS	STEEL
M	1/4" X 3-1/4" PFH ITW CONCRETE SCREW	STEEL
N	1/4" X 3-3/4" PFH ITW CONCRETE SCREW	STEEL
1	FRAME*	PVC
2	SASH STILE*	PVC
3	GLAZING BEAD*	PVC
4	FRAME CAP*	PVC
5	INTERLOCK*	PVC
5A	INTERLOCK (6063-T5 ALUM)	ALUM
6	SILL CAP (6063-T5 ALUM)	ALUM
7	SASH TOP AND BOTTOM RAIL*	PVC
8	SASH SUPPORT (6063-T5 ALUM)	ALUM
9	ROLLER SUPPORT (6063-T5 ALUM)	ALUM
10	REINFORCEMENT (6065-T5 ALUM)	ALUM
11	FIXED TRACK (6065-T5 ALUM)	ALUM
12	SILL ROLLER TRACK (6063-T5 ALUM)	ALUM
25	ROLLER ASSM.	STEEL
30	LOCK AND HANDLE	-
31	STRIKE PLATE	-

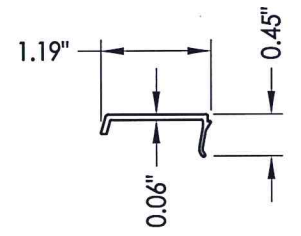
* THE APPROVED WHITE RIGID PVC EXTERIOR EXTRUSIONS FOR WINDOWS ARE TO BE PRODUCED BY EXTRUDERS LICENSEES IN "AAMA CERTIFICATIONS PROGRAMS FOR RIGID PVC EXTRUSIONS".



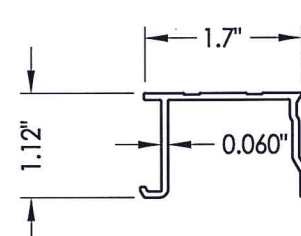
1 **FRAME**
8572-356-D60



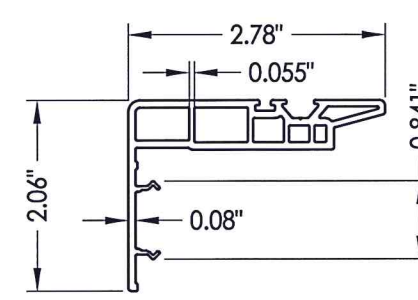
2 **SASH STILE**
8567-356-D54



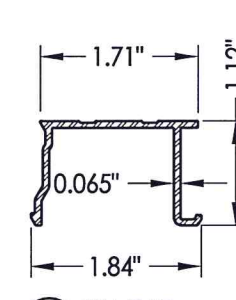
3 **GLAZING BEAD**
8570-356-D57



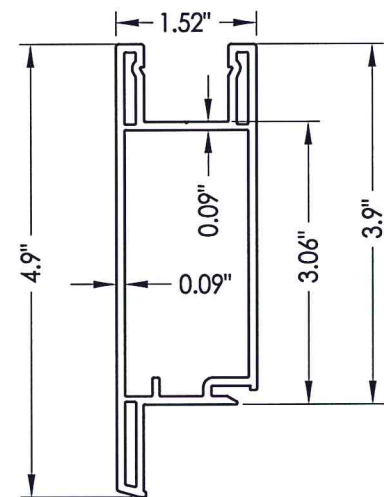
4 **FRAME CAP**
8571-356-D58



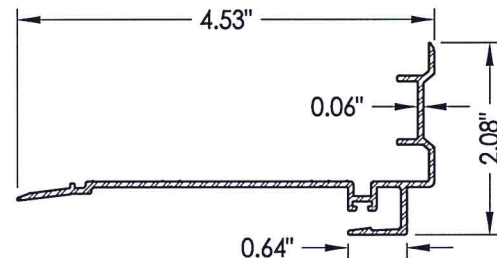
5 **INTERLOCK**
8573-356-D63



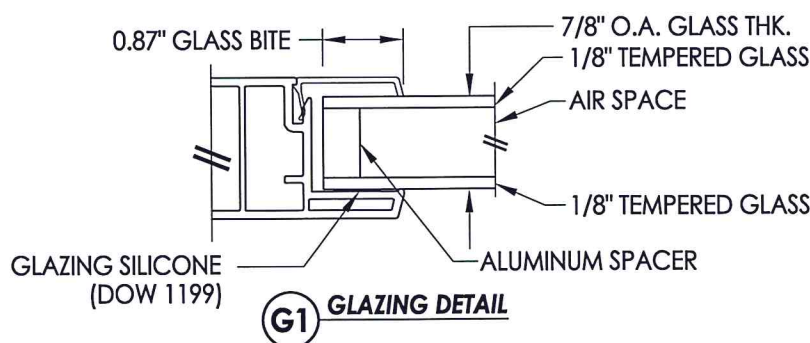
6 **SILL CAP**
356-A51-52-COV



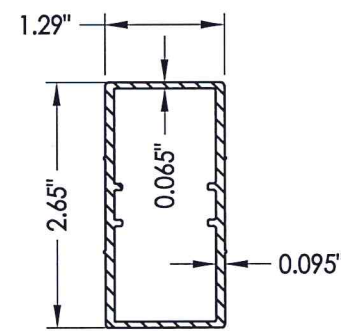
7 **SASH TOP AND BOTTOM RAIL**
8568-356-D55



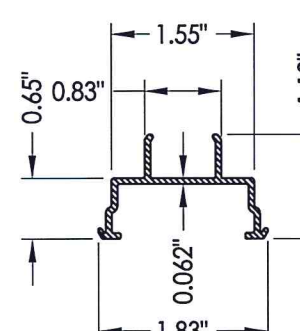
5A **INTERLOCK**
356-A54



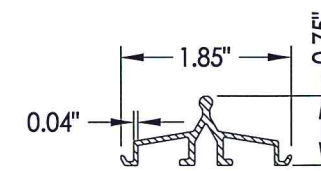
G1 **GLAZING DETAIL**



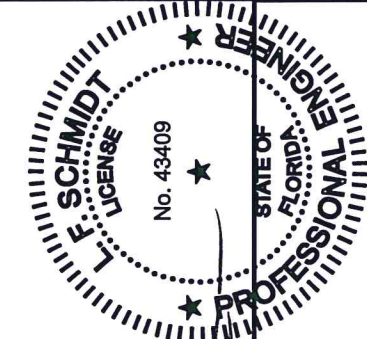
10 **REINFORCEMENT**
356-A54-55



11 **FIXED TRACK**
356-A65



12 **ROLLER TRACK**
356-A51-52-TRK



Documents Prepared By:
Lyndon F. Schmidt
P.E. No. 43409
LFS
6/15/15
R.W. BUILDING CONSULTANTS, INC.
P.O. Box 230, Valrico, FL 33595
Phone No.: 813.659.9197
FBPE C.A. No. 9813

PRODUCT:	Doors	
PART OR ASSEMBLY:	BILL OF MATERIALS, GLAZING DETAIL & COMPONENTS	
NO.	DATE	BY
		REVISIONS
DATE: 6/15/15		
SCALE: N.T.S.		
DWG. BY: JK		
CHK. BY: LFS		
DRAWING NO.: FL-15450.1		
SHEET 5 OF 5		

© 2015 R.W. BUILDING CONSULTANTS INC.